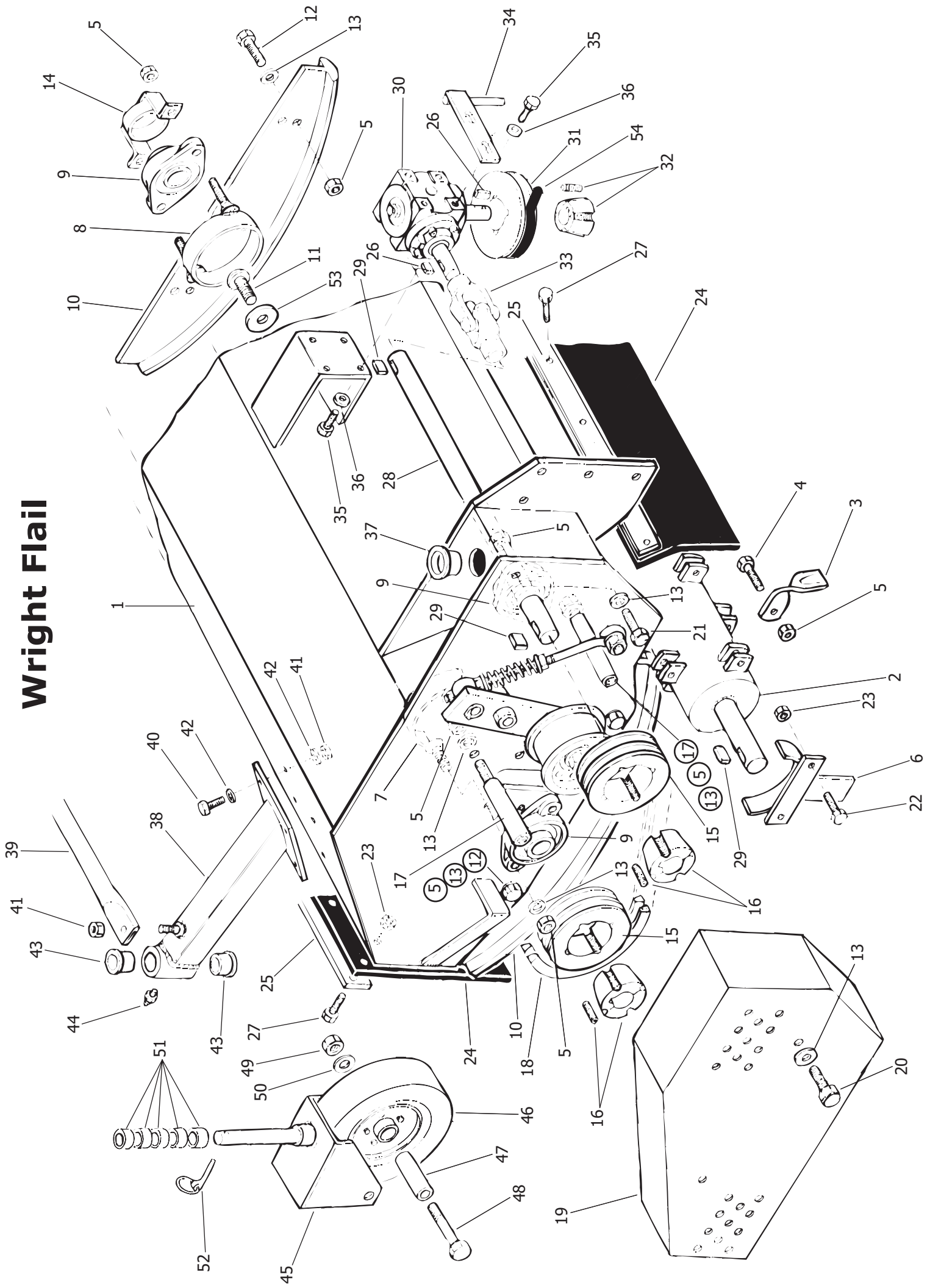

Parts Manual



Stander Flail

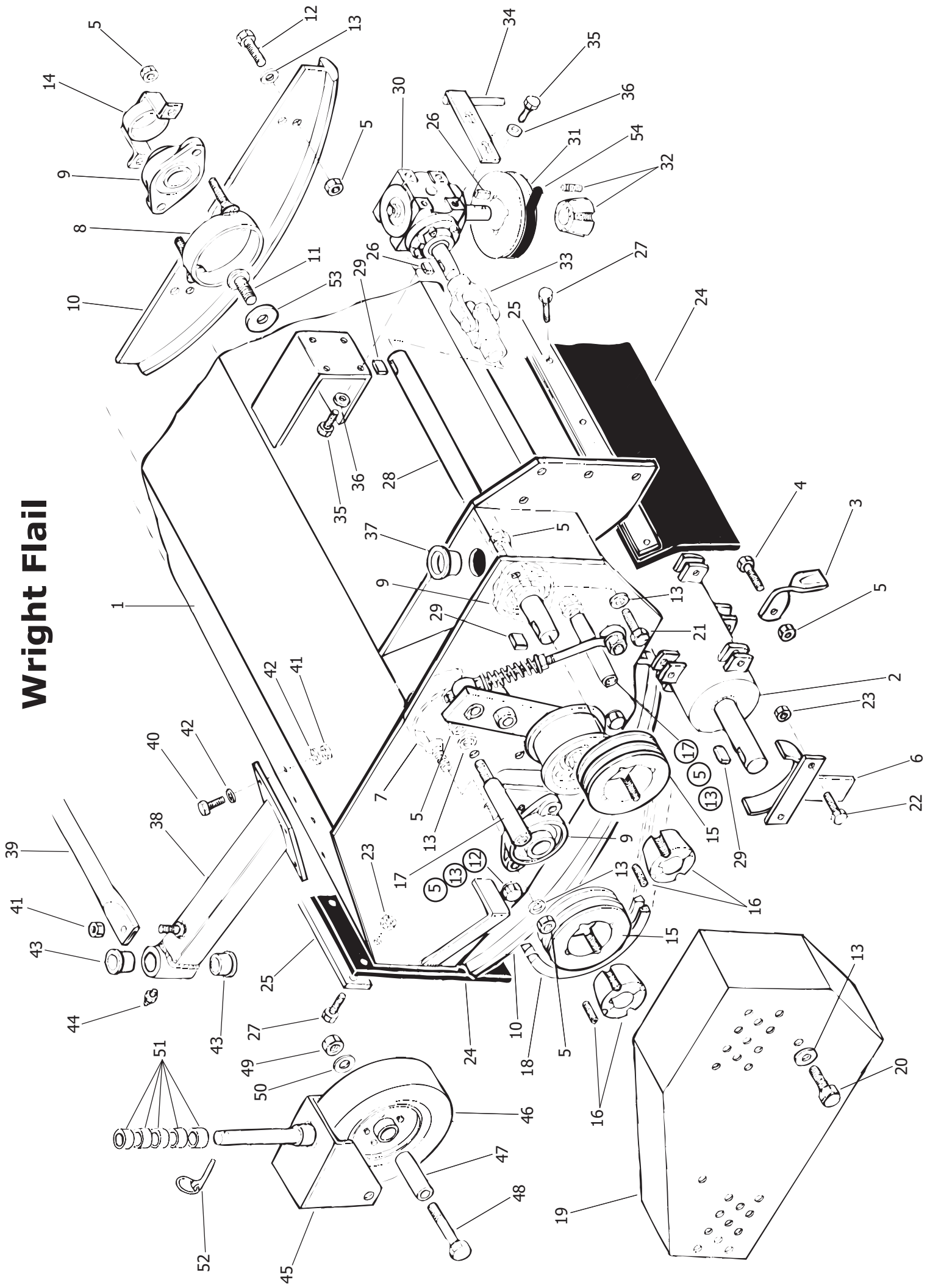
Wright Flail



Wright 36" Flail

Item No	Part Number	Description	Qty
1	IF36001	Main hood	1
2	IF36002	36" Rotor c/w blades	1
3	6046	J Shaped blade	24
4	SET1035	M10 x 35 HT set	24
5	NUTNYP10	M10 Nyloc nut	24
6	IFS008	Drive end filler	1
7	IFS010	Drive end filler rotor cover	1
8	IFS011	Non drive end rotor cover	1
9	B2F25	Flanged bearing housing c/w bearing	3
10	IFS009	Skid	2
11	SBUT1225	M12 x 25 Button socket cap screw	1
12	SET1025	M10 x 25 HT set	4
13	WSHP010	M10 flat washer	4
14	IFS014	Rotor shaft guard	1
15	DP2A90	SPA090/2 Twin pulley	2
16	DC161025	25mm 1610 Centre	2
17	IFS039	End guard pins	2
18	DBV36AX	AX36 V belt	2
19	IFS005	End drive guard	1
20	SET1020	M10 x 20 HT set	2
21	SET1035	M10 x 35 HT set	2
22	SET0620	M6 x 20 HT set	2
23	NUTNYP06	M6 Nyloc nut	2
24	RB150900	150 x 900 x 6 Rubber flap	2
25	IF36006	Flap retainer	2
26	DK060630	M6 x 30 Parallel key	2
27	SET0625	M6 x 25 HT set	14
28	IF48032	Gearbox shaft	1
29	DK080825	M8 x 25 Parallel key	1
30	W090	Gearbox c/w 31 & 32	1
31	892-6477	SPB12 Step pulley	1
32	DC161020	20mm 1610 centre	1
33	DUJ2520	25/20 Universal joint	1
34	IFS089	Belt guide	1
35	SET0820	M8 x 20 HT set	2
36	WSHP008	M8 flat washer	2

Wright Flail



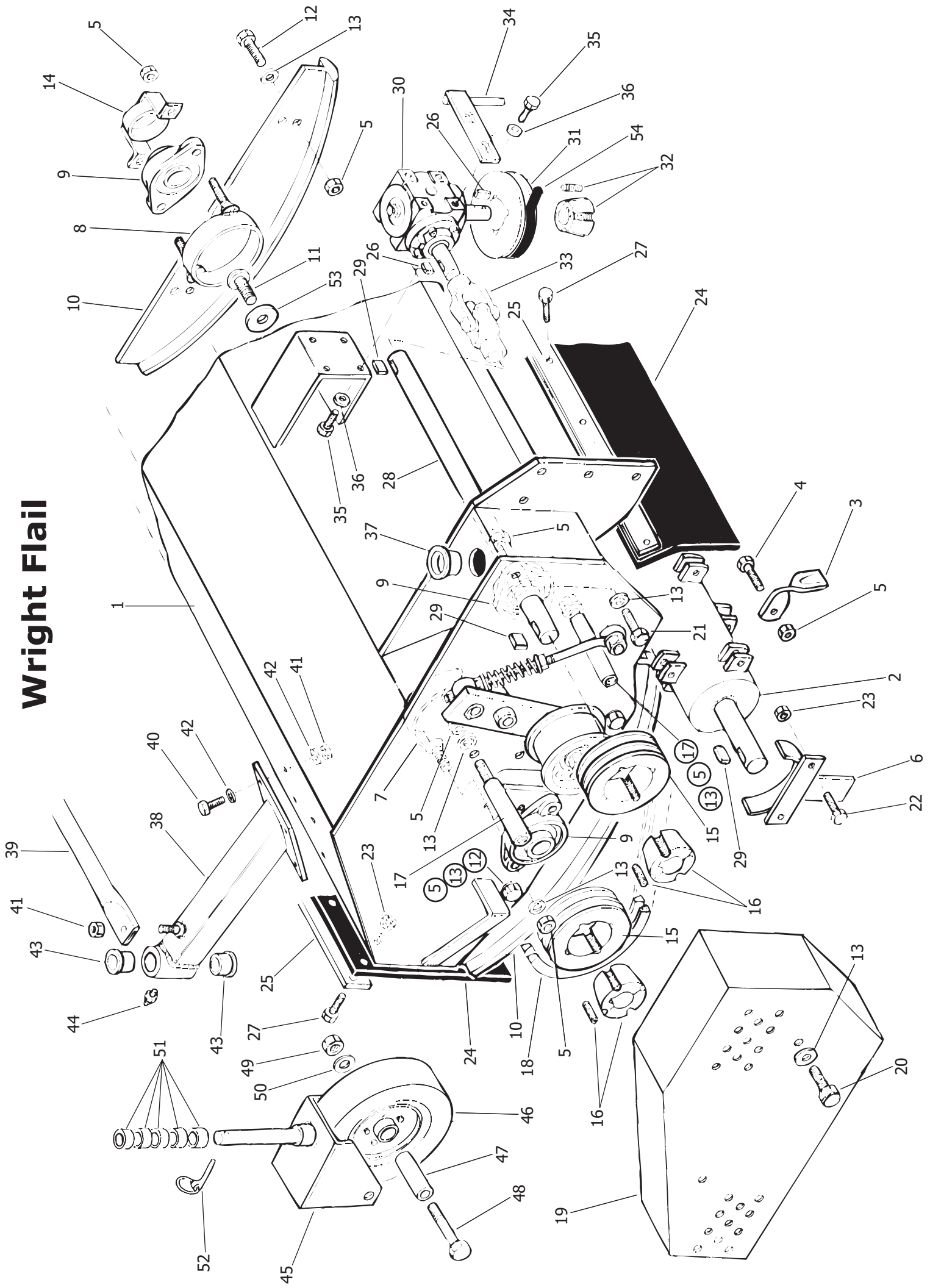
Wright 36" Flail

Item No	Part Number	Description	Qty
37	PC40R	40mm Plastic grommet	1
38	IWF001	Caster leg	2
39	IF36007	Safety rail	1
40	SET0830	M8 x 30 HT set	8
41	NUTNYP08	M8 Nyloc nut	8
42	WSHP008	M8 flat washer	8
43	PB383225	Caster arm bush	4
44	GNS0601	M6 Grease nipple - straight	2
45	93460008	Caster yoke	2
46	72460002	Caster wheel assembly	2
47	13990023	Washer	2
48	11990034	¾" UNC x 6½" HT bolt	2
49	12990026	¾" UNC nyloc nut	2
50	98460019	Wheel bearing kit	1
51	13990022	Caster wheel spacers	12
52	15990013	Lynch pin	2
53	WSHP1/2"	½" Flat washer	1
54	B36	Drive belt	1
55	IW36003	Gearbox shaft cover	1

Wright 48" Flail

Item No	Part Number	Description	Qty
1	IF48001	Main hood	1
2	IF48002	48" Rotor c/w blades	1
3	6046	J Shaped blade	32
4	SET1035	M10 x 35 HT set	32
5	NUTNYP10	M10 Nyloc nut	32
6	IFS008	Drive end filler	1
7	IFS010	Drive end filler rotor cover	1
8	IFS011	Non drive end rotor cover	1
9	B2F25	Flanged bearing housing c/w bearing	3
10	IFS009	Skid	2
11	SBUT1225	M12 x 25 Button socket cap screw	1
12	SET1025	M10 x 25 HT set	4
13	WSHP010	M10 flat washer	4
14	IFS014	Rotor shaft guard	1
15	DP2A90	SPA090/2 Twin pulley	2
16	DC161025	25mm 1610 Centre	2
17	IFS039	End guard pins	2
18	DBV36AX	AX36 V belt	2
19	IFS005	End drive guard	1
20	SET1020	M10 x 20 HT set	2
21	SET1035	M10 x 35 HT set	2
22	SET0620	M6 x 20 HT set	2
23	NUTNYP06	M6 Nyloc nut	2
24	RB1501200	150 x 1200 x 6 Rubber flap	2
25	IF48006	Flap retainer	2
26	DK060630	M6 x 30 Parallel key	2
27	SET0625	M6 x 25 HT set	18
28	IW48002	Gearbox shaft	1
29	DK080825	M8 x 25 Parallel key	1
30	W090	Gearbox c/w 31 & 32	1
31	892-6477	SPB12 Step pulley	1
32	DC161020	20mm 1610 centre	1
33	DUJ2520	25/20 Universal joint	1
34	IFS089	Belt guide	1
35	SET0820	M8 x 20 HT set	2
36	WSHP008	M8 flat washer	2

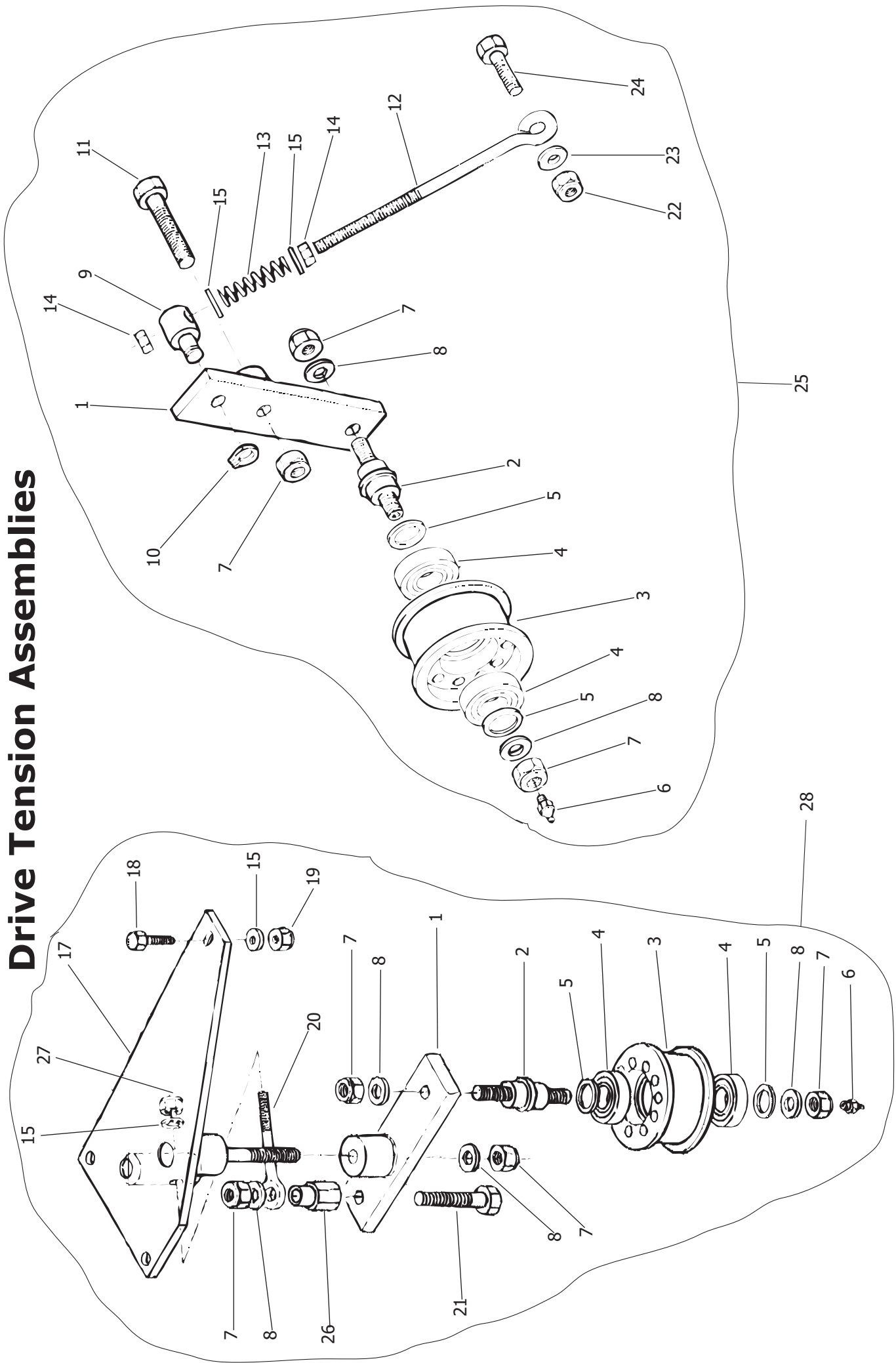
Wright Flail



Wright 48" Flail

Item No	Part Number	Description	Qty
37	PC40R	40mm Plastic grommet	1
38	IWF001	Caster leg	2
39	IF48007	Safety rail	1
40	SET0830	M8 x 30 HT set	8
41	NUTNYP08	M8 Nyloc nut	8
42	WSHP008	M8 flat washer	8
43	PB383225	Caster arm bush	4
44	GNS0601	M6 Grease nipple - straight	2
45	93460008	Caster yoke	2
46	72460002	Caster wheel assembly	2
47	13990023	Washer	2
48	11990034	¾" UNC x 6½" HT bolt	2
49	12990026	¾" UNC nyloc nut	2
50	98460019	Wheel bearing kit	1
51	13990022	Caster wheel spacers	12
52	15990013	Lynch pin	2
53	WSHP1/2"	½" Flat washer	1
54	B36	Drive belt	1
55	IW48003	Gearbox shaft cover	1

Drive Tension Assemblies



Item No	Part Number	Description	Qty
1	IFS040	90mm Tensioner arm	1
2	IFS041	90mm Tensioner spigot	1
3	IFS042	90mm Tensioner pulley	1
4	BR20	20mm Bearing - 6004ZZ	4
5	IFS043	20mm Spacers	4
6	GNS0601	M6 Grease nipple	2
7	NUTNYP12	M12 Nyloc nut	7
8	WSHP012	M12 Flat washer	7
9	IFS044	12mm Trunnion	1
10	CCE12	12mm external circlip	1
11	BOLT12065	M12 x 65 HT bolt	1
12	EBOLT08200	M8 x 200 Eye bolt	1
13	SC64175	64 x 17.5 x 3 Tensioner spring	1
14	NUTPL08	M8 Nut	3
15	WSHP008	M8 Flat washer	2
17	IFS099	Mid-tensioner mounting bracket	1
18	SET0825	M8 x 25 HT set	1
19	NUTNY08	M8 Nyloc nut	1
20	EBOLT5/16 x 6	5/16" x 6" UNC eye bolt	1
21	SET1255	M12 x 55 HT bolt	1
22	NUTNYP10	M10 Nyloc nut	1
23	WSH010	M10 Flat washer	1
24	SET1035	M10 x 35 HT set	1
25	IFS046	90mm Vented pulley assembly	1
26	IFS101	M12 x 28 Shouldered nut	1
27	25057	5/16" UNC Nyloc nut	1
28	IFS102	60mm Mid-mount pulley assembly	1

Drive Tension Assemblies