



Service Bulletin # 098

Page 1 of 3

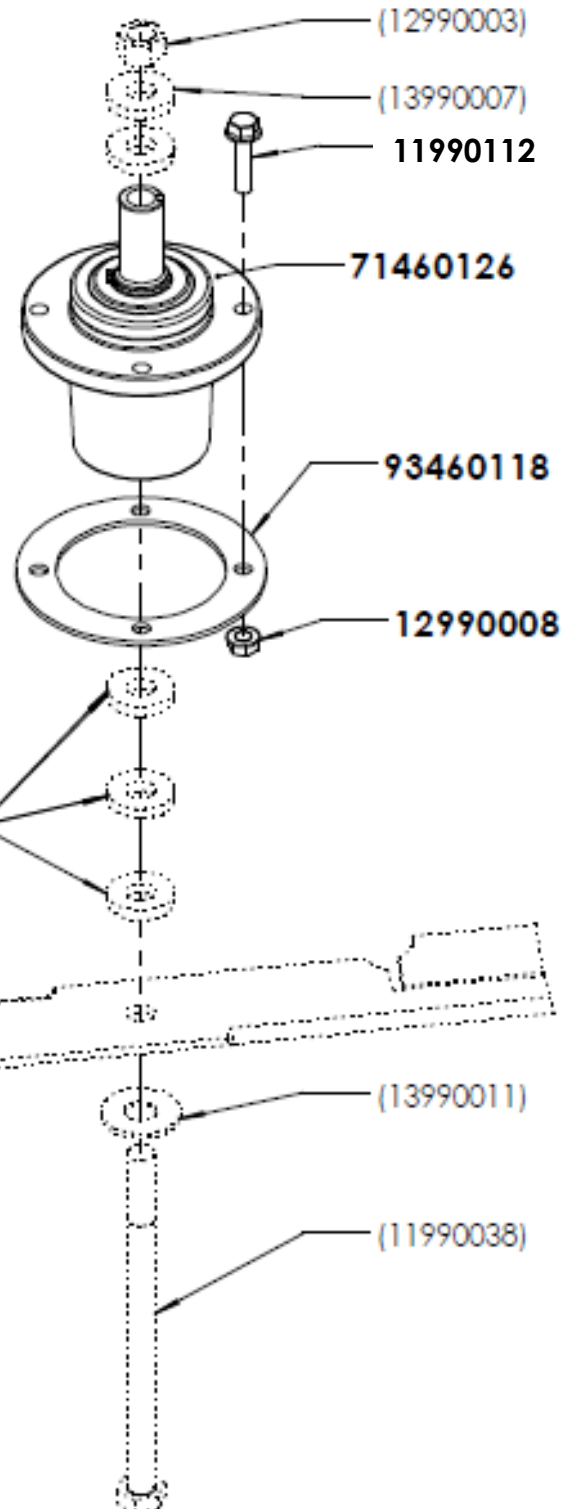
July 15 2010

New Spindle For Small Frame Standers

- Subject:** Discontinuing the 71460022 spindle and replacing it with spindle kit 95460018.
- Affected:** All small Standers built prior to S/N 52971. Standers with S/N 52971 and above will have the new spindle.
- Situation:** Transitioning the small Standers to the thru bolt in house 71460126 spindle in production and establishing the 95460018 kit as the field replacement.
- The Fix:** Order 95460018 as replacement for units built with the 71460022 spindles.
- Claim Procedure** File normal on-line warranty claim. 0.5 hr of labor is allowed for each spindle. Reference kit # 95460018 in the "Part Used for Service" section and reference 71460022 in the "Failed Part No" line.



| 95460018 KIT CONTENTS | | |
|-----------------------|---|------|
| PN | DESCRIPTION | QTY. |
| 11990112 | BOLT, FLANGE, 3/8-16 X 1 1/4 Z8 | 4 |
| 12990008 | NUT, LOCK FLANGE 3/8-16 Z | 4 |
| 71460126 | SPINDLE ASSEMBLY, THROUGH BOLT, STANDER | 1 |
| 93460118 | SPINDLE SPACER, 11 ga. | 1 |



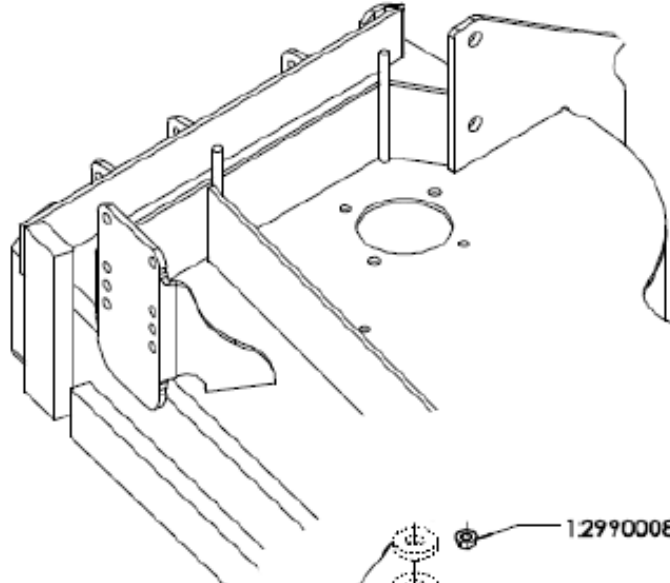
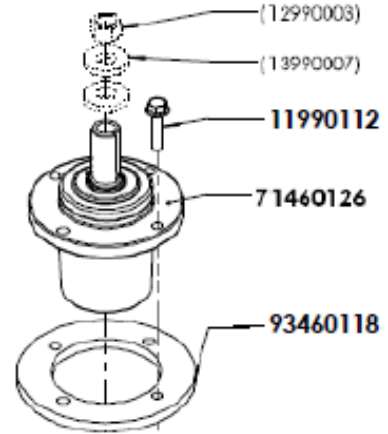
32" CUTTER DECKS

Re-install 3 Blade Spacers → (13990007)



95460018 KIT CONTENTS

| PN | DESCRIPTION | QTY. |
|----------|---|------|
| 11990112 | BOLT, FLANGE, 3/8-16 X 1 1/4 Z8 | 4 |
| 12990008 | NUT, LOCK FLANGE 3/8-16 Z | 4 |
| 71460126 | SPINDLE ASSEMBLY, THROUGH BOLT, STANDER | 1 |
| 93460118 | SPINDLE SPACER, 11 ga. | 1 |



36" & 42" CUTTER DECKS
 Re-install 4 Blade Spacers

